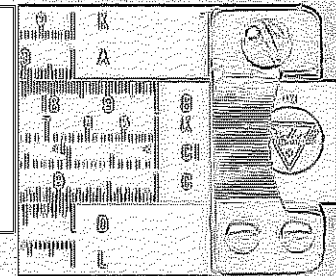
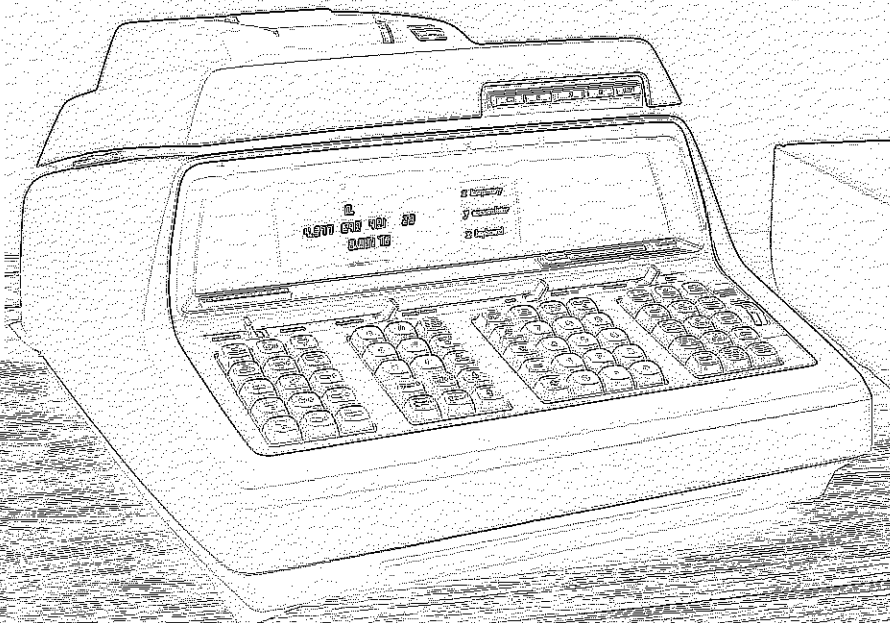
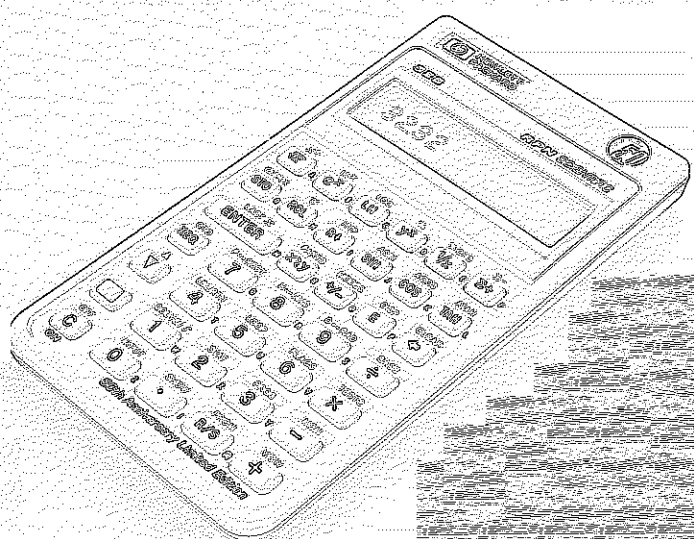
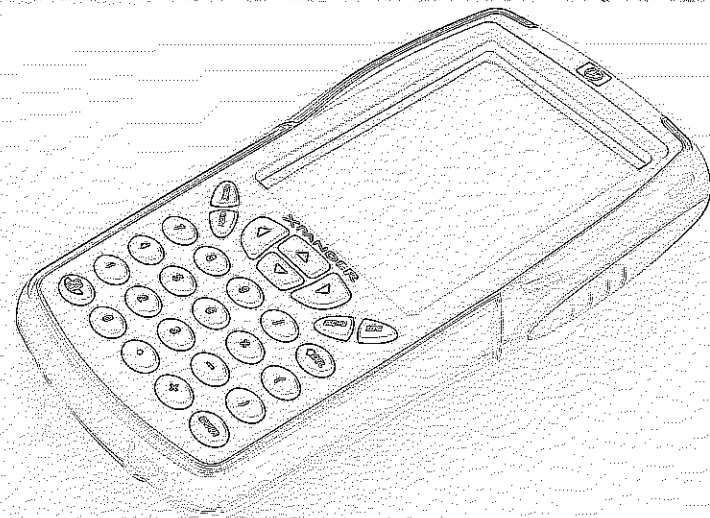
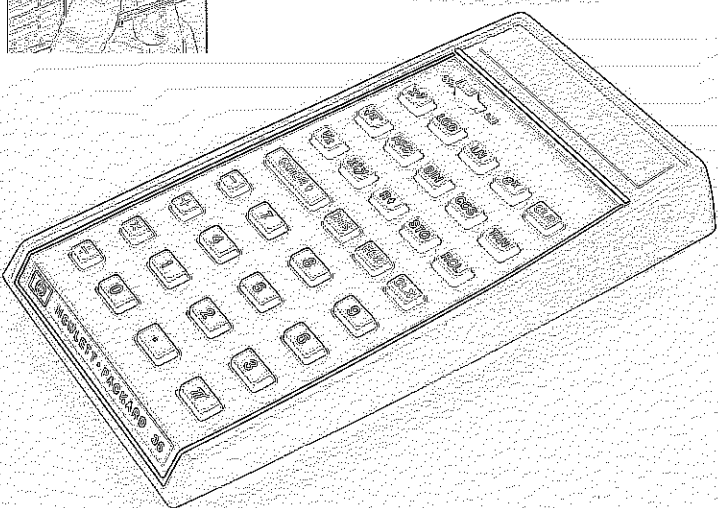
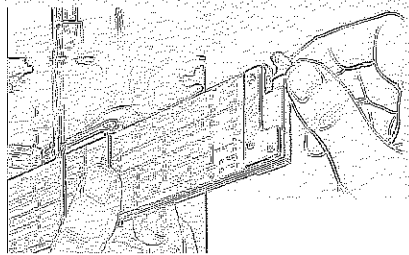
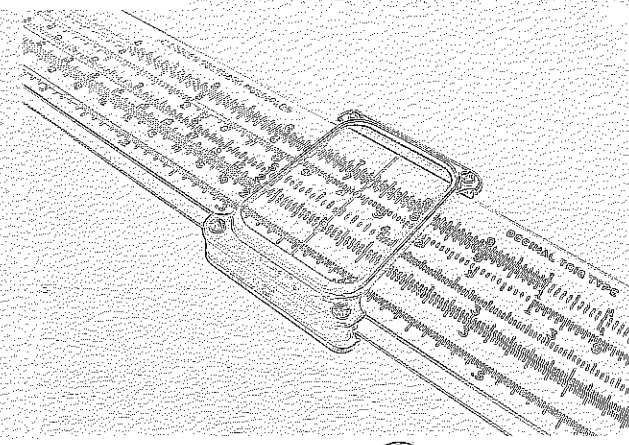
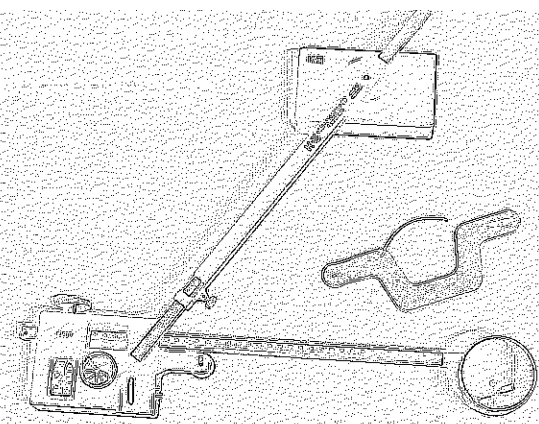
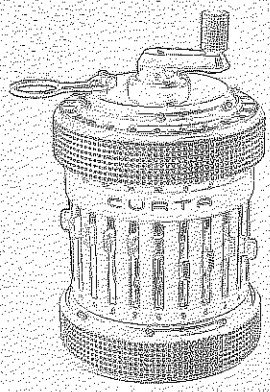


Texas Competitive Mathematics
Web - <http://www.texasmath.org>
Fax - (866) 606-3535
E-Mail - webmaster@texasmath.org



2008 UIL Calculator Appl Regional
(11 pages)



08H-1. $(0.693 + 2.25) \times 5.49$ ----- 1= _____

08H-2. $(\pi - 0.924)/(8.17) + 0.304$ ----- 2= _____

08H-3. $(92.2 + 232 - 92.5)/(-13.3) + \pi$ ----- 3= _____

08H-4. $\{ (-0.0606) (0.148 + 0.921 - 0.282) (0.00128) \} + 3.35 \times 10^{-5}$ ----- 4= _____

08H-5. $\frac{\{ (29.9 - 20.5 + 35.3)/(30.8) \}}{\{ (19.1) (-6.63)/(72.7) \}}$ ----- 5= _____

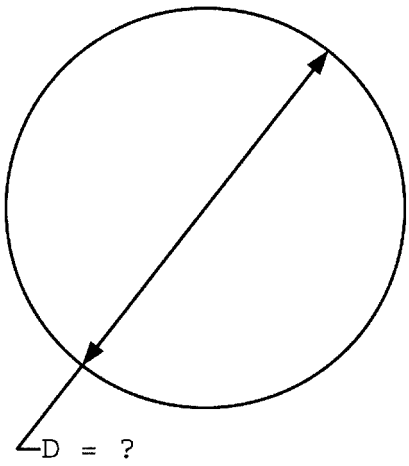
08H-6. What is 596 times $4.96^{2.07}$? ----- 6= _____

08H-7. Alison took 8 hr to read a 230 page book. How long did it take to read one page? ----- 7= _____ min

08H-8. An 8.5 in x 11 in sheet of paper is reduced by 35% on a copier. What is the length of the diagonal of the reduced image? ----- 8= _____ in

08H-9.

CIRCLE

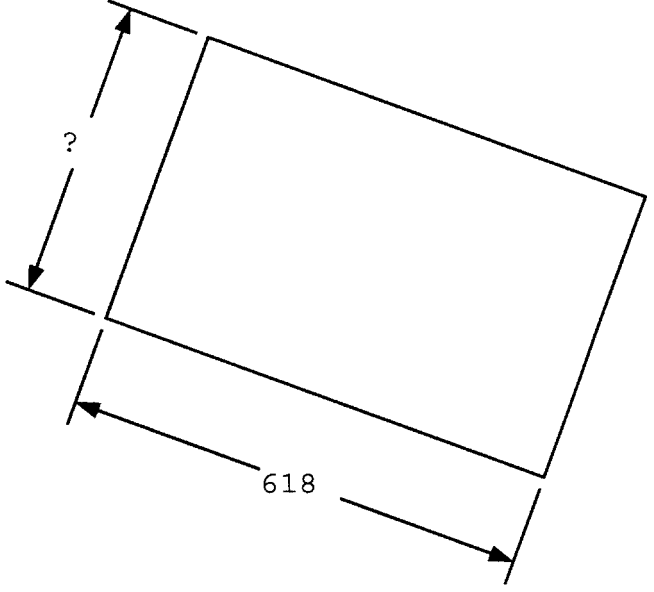


AREA = 85

08H-9 = _____

08H-10.

RECTANGLE



PERIMETER = 2030

08H-10 = _____

08H-11. $\frac{(-0.359)(1.34) + (-0.657)(0.844)}{-4.5 + 1.32 - (-8.83)(0.238)}$ ----- 11= _____

08H-12. $\frac{(-0.12)(-1.56) - (-0.241 + 0.215)(-7.42)}{(2.97 + 3.31 + \pi)(-0.873)}$ ----- 12= _____

08H-13. $\frac{3.48 \times 10^5 + 6.24 \times 10^5}{(-0.816)(-0.646) + 2.24} + \frac{5940 - 4170 + 5580}{(-0.279)(-0.0603)}$ ----- 13= _____

08H-14. $\frac{(8560 + 6360 - 2410)(0.00129 + 0.00309 - 0.00136)}{(-0.64 - 0.479)(-0.8)(-0.874 - 0.8)}$ ----- 14= _____

08H-15. $\frac{1.60 \times 10^5 + 2.24 \times 10^5 - (69400 + 1.06 \times 10^5)(\pi - 0.141)}{(-975)(-0.527)(0.414)(435 - 414 + 516)}$ ----- 15= _____

08H-16. The largest tea party was 14,718 people who drank green tea in Nishio, Japan on October 8, 2006. If a serving was 6 oz, how much tea was needed? ----- 16= _____ gal

08H-17. Assuming 365 days per year with 5 work days per week, how many work days on average are in a year? ----- 17= _____ days

08H-18. A baseball is 9 inches in circumference and weighs 5 oz. A bowling ball is 27 inches in circumference and weighs 16 lbs. What is the percent difference in density of a baseball and bowling ball? ----- 18= _____ %

08H-19.

RIGHT TRIANGLE
0.52 rad

AREA = ?

08H-19 = _____

08H-20.

RIGHT TRIANGLE

08H-20 = _____

08H-21. $\left[\frac{\sqrt{2.08 - 1.82}}{5.79} + \frac{(0.541)}{8.78} \right]^2$ ----- 21= _____

08H-22. $\sqrt{\frac{(6.37)(1.51)}{201 + 195}} + 0.146$ ----- 22= _____

08H-23. $(-0.0158)(-64.4) + \sqrt{(1.5)/(7.86)} + [(0.592)(1.2)]^2$ ----- 23= _____

08H-24. $\frac{\sqrt{118 + 30.2 + (9640)/(102)}}{645 + 218}$ ----- 24= _____

08H-25. $\left[\frac{0.865 + 0.3 + \sqrt{0.338/0.517}}{0.0516 + 0.0445} \right]^2$ ----- 25= _____

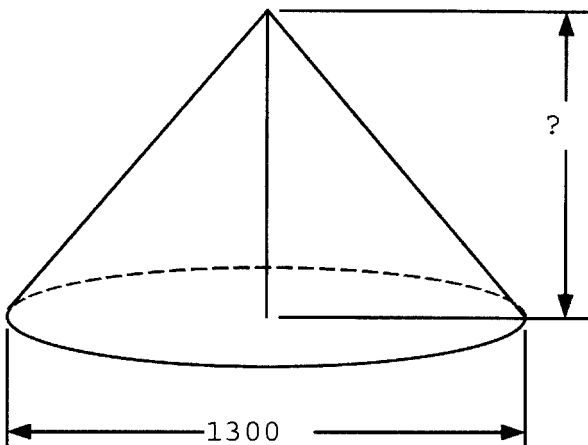
08H-26. The world record height for a jump by a pig is 70 cm. How long was the pig aloft? ----- 26= _____ s

08H-27. Samantha weighs 147 lbs. She planned to lose 15 lbs in 15 days, but she only lost 12 lbs. What is the percent difference between her desired weight at the end of the diet and her actual weight at the end of the diet? ---- 27= _____ %

08H-28. Highway center stripes are 8 in wide, 10 ft long and 30 ft apart. If a gallon of paint covers 250 ft², how many gallons of paint are needed to paint the 48 mi long road center stripe between Big Springs and Snyder? ----- 28= _____ gal

08H-29.

CONE

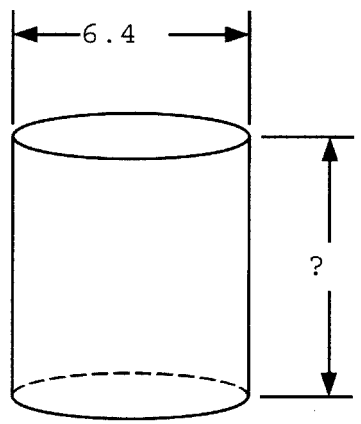


TOTAL SURFACE AREA = 3.39×10^6

08H-29 = _____

08H-30.

CYLINDER



VOLUME = 226

08H-30 = _____

08H-31. $\sqrt{\frac{1.75}{\sqrt{49.6 + 9.79}}} \times \left[\frac{1}{(4.16 - 1.64)^2} + \frac{1}{(3.84 + 3.59)^2} \right]$ ----- 31= _____

08H-32. $\frac{(7.65 \times 10^{-6} + 1.35 \times 10^{-5})^2}{\sqrt{91 - 58.7}} + \frac{7.26 \times 10^{-13}}{\sqrt{2.03 \times 10^{-5} + 1.94 \times 10^{-4}}}$ ----- 32= _____

08H-33. $\frac{[4.55 / (0.943 + 0.521) + 1 / (0.22)]^{1/2}}{(0.41 + 1.06)^2 \times \sqrt{1.77 - (-0.972)}}$ ----- 33= _____

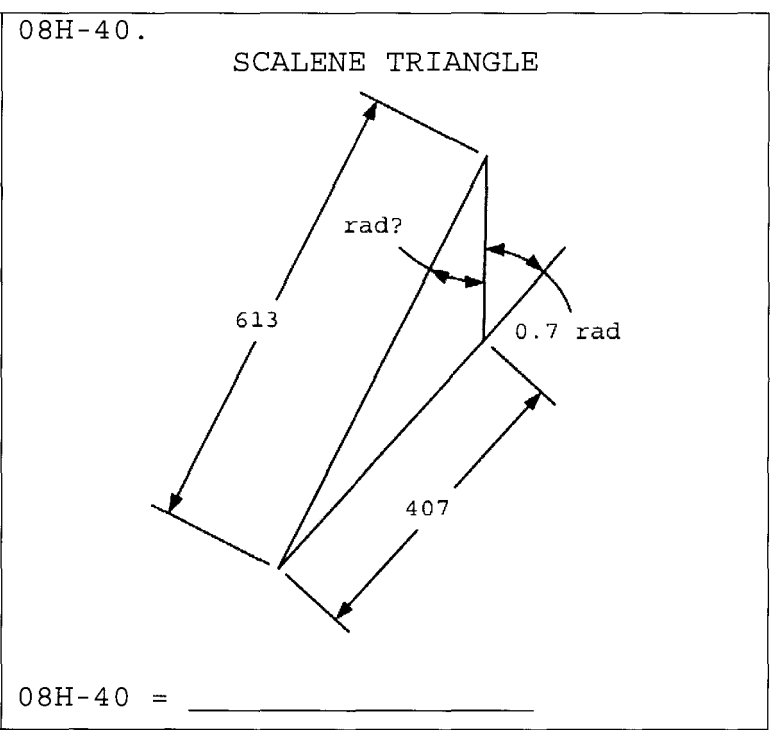
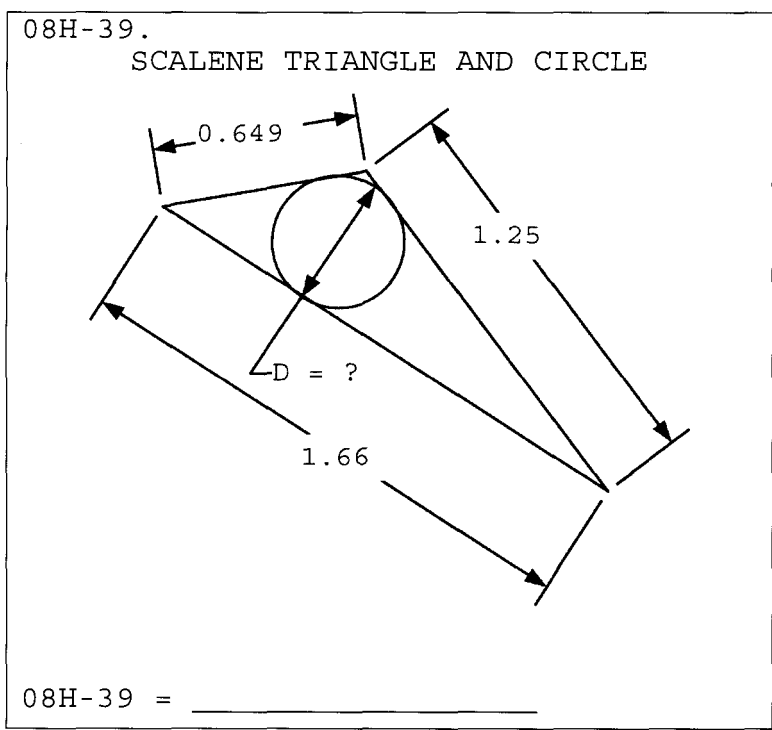
08H-34. $\frac{(3.12 \times 10^5)^2 (5.63 \times 10^{-12} + 1.07 \times 10^{-12})}{2.51 + (-0.704) (-8.22)} + \frac{1}{\frac{1}{0.00798} + \frac{1}{(-0.074)}}$ -- 34= _____

08H-35. $\frac{\frac{1}{-81.1} + \frac{-79.7}{(113 + 56.3)^2} - \frac{\sqrt{27.8}}{(43.5)^2}}{(95 + 125)^2 + (-64000)}$ ----- 35= _____

08H-36. How long after exactly 7:44 PM do the minute and hour hands align? ----- 36= _____ min

08H-37. A projectile is fired at 50 ft/s and hits a target 60 ft away. The firing angle may be either less than 45° or greater than 45°. What is the positive difference in time of flight for these two paths? ----- 37= _____ s

08H-38. What is the distance between points of intersection of the parabola $y = 6x^2 + 2$ and the circle $x^2 + (y - 2)^2 = 29$? ----- 38= _____



08H-41. $\frac{10^{-(3.44 - 3.62)}}{-9.8 + 3.86}$ ----- 41= _____

08H-42. $\frac{e^{+0.758} + e^{-0.447}}{(-92400 + 6920)}$ ----- 42= _____

08H-43. $-1.38 + (0.469)\ln(0.209 - 0.168)$ ----- 43= _____

08H-44. $(594 + 826)^{1/3} + 1/\{(310)^{-0.357}\}$ ----- 44= _____

08H-45. (deg) $\frac{\cos\{(65.4^\circ)/(6.93)\}}{\sin\{24.1^\circ - 27.3^\circ\}}$ ----- 45= _____

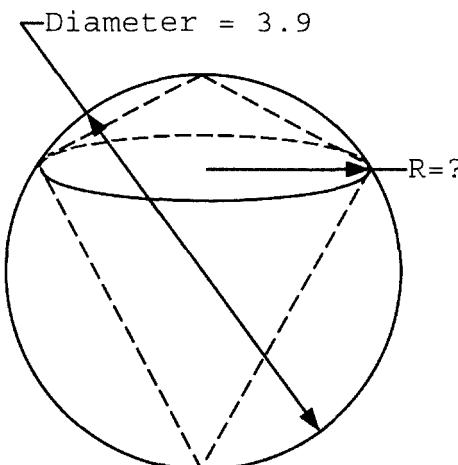
08H-46. Light intensity varies as the inverse square of distance from the source. If 50 watt bulbs are strung on a line 15 ft apart, at what distance should 100 watt bulbs be strung if the minimum light intensity along the line remains the same? ----- 46= _____ ft

08H-47. The population of Texas in ten-year increments starting in 1960 is 9.92 million, 12.1 million, 14.5 million, 17.2 million and 20.1 million. Based on these, predict the year in which the population will exceed 35 million. ----- 47= _____ integer

08H-48. What is the positive value of x for $x^{2x} = 10 - 3x^2$? ----- 48= _____

08H-49.

SPHERE AND CONES



Diameter = 3.9

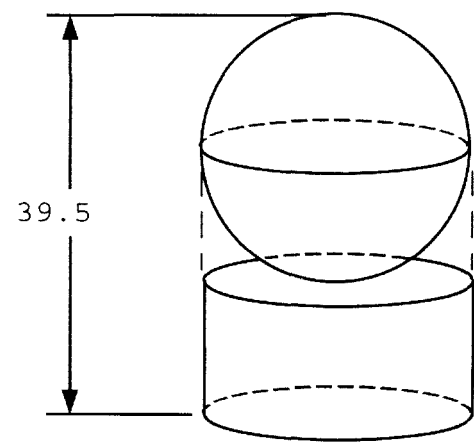
R=?

VOLUME (SPHERE) - VOLUME (CONES) = 20.3

08H-49 = _____

08H-50.

SPHERE AND CYLINDER



39.5

TOTAL SURFACE AREA (SPHERE) = _____

TOTAL SURFACE AREA (CYLINDER) = ?

08H-50 = _____

08H-51. $\frac{(-7.13 \times 10^{-8}) 10^{-(6.29 - 0.962)}}{-2.14 \times 10^{-7} + 1.97 \times 10^{-7}}$ ----- 51= _____

08H-52. $\frac{1 + e^{\{0.683 + (0.71)(6.37)\}}}{(80)(9.28 - e^{(-0.554)})}$ ----- 52= _____

08H-53. $\frac{\text{Log}\{1.90 \times 10^8 + (12400)(54000)\}}{4.21 - \text{Log}\{(37.5)/(0.012)\}}$ ----- 53= _____

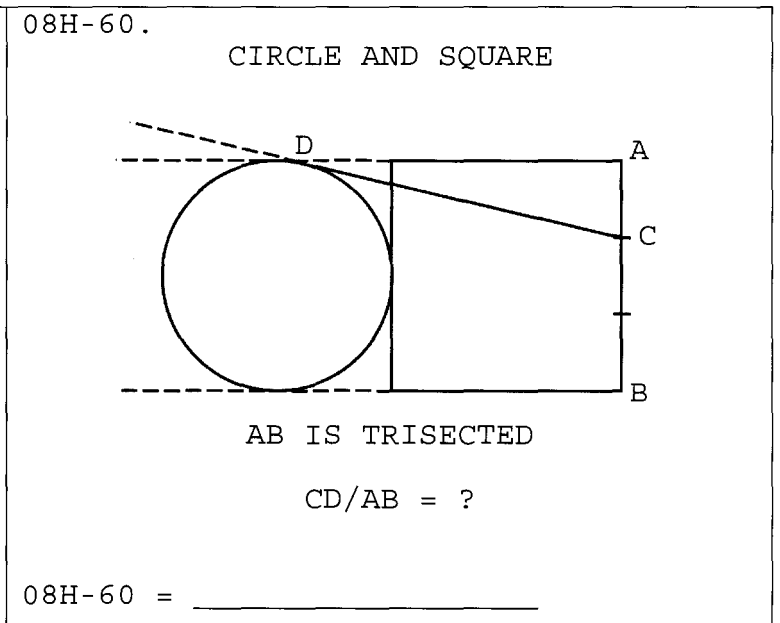
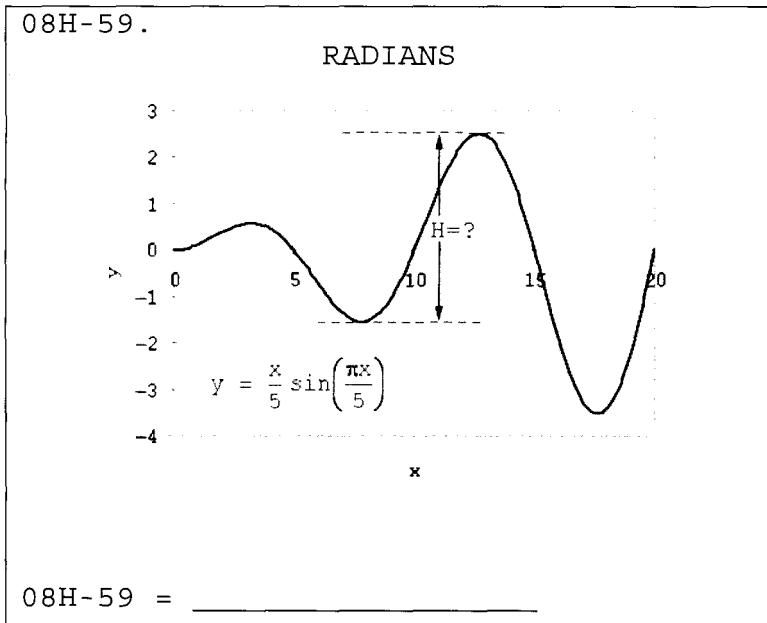
08H-54. $\frac{1}{(0.606)^{(-0.523)}} + (0.271 + 0.962)^{(0.689 - 0.47)}$ ----- 54= _____

08H-55. (rad) $\arctan\left[\frac{(2660)(0.842)}{(5.17)(56)}\right] + (0.205)(1.74)$ ----- 55= _____

08H-56. (rad) What is the slope of the function $f(x) = x \sin(2x - \pi)$ at $x = \pi$? ----- 56= _____

08H-57. Two numbers sum to 25 and multiply to P. What is the largest value of P? ----- 57= _____

08H-58. What is d if $[C] = \begin{bmatrix} 2 & 7 & 1 \\ 7 & d & 8 \\ 1 & 8 & -5 \end{bmatrix}$, $[B] = \begin{bmatrix} 2 & 9 & -6 \\ 9 & 6 & 1 \\ -6 & 1 & 2 \end{bmatrix}$,
 $[Y] = [B][C]$ and $Y_{12} = 0$. ----- 58= _____



08H-61. $\frac{(10^{4.99})(10^{4.33})(10^{0.392})}{10\{(4.78)(0.581)\}}$ ----- 61= _____

08H-62. $(92.8 - 39.7)^2 + (7.19 + 21.5)e^{\ln(2.6)}$ ----- 62= _____

08H-63. (deg) $\{\cos^2(11.8^\circ) - \sin^2(11.8^\circ)\} \times \frac{\tan(11.8^\circ)}{1 - \tan^2(11.8^\circ)}$ ----- 63= _____

08H-64. $1 + (0.93) + \frac{(0.93)^2}{2} + \frac{(0.93)^3}{6} + \frac{(0.93)^4}{24}$ ----- 64= _____

08H-65. $\frac{-6.94}{\sqrt{7.57}} \ln \left[\frac{\sqrt{(5.52)^2 + (5.59)} + \sqrt{11.3}}{\sqrt{0.662 + (78.3)(0.00655)}} \right]$ ----- 65= _____

08H-66. Two gallons of salt water solution are 8% salt. Water is added to make a 5.7% solution. How much 5.7% solution is there? ----- 66= _____ gal

08H-67. Rod letters a sign by hand in 14 minutes, but it only takes 12 minutes if he uses a stencil. If he needs 39 minutes to make the stencil, what is the minimum number of signs for which using a stencil takes less time than lettering by hand? ----- 67= _____ integer

08H-68. A 2 meter long piece of dental floss is pulled tight 1.2 meters above the ground. It is then relaxed by moving one end 95 mm towards the other end. Assuming the sagged floss forms a circular arc, how far above the ground is the midpoint of the floss? ----- 68= _____ cm

08H-69. SQUARE AND SEMICIRCLE

HATCHED AREA = ?

08H-69 = _____

08H-70. CIRCLE AND RIGHT TRIANGLES

HATCHED AREA = 0.0577
DIAMETER = ?

08H-70 = _____

08H-1 = 16.2 = 1.62×10^1	08H-11 = 0.960 = 9.60×10^{-1}	08H-21 = 0.0224 = 2.24×10^{-2}
08H-2 = 0.575 = 5.75×10^{-1}	08H-12 = 0.000695 = 6.95×10^{-4}	08H-22 = 0.302 = 3.02×10^{-1}
08H-3 = -14.3 = -1.43×10^1	08H-13 = 788000 = 7.88×10^5	08H-23 = 1.96 = 1.96×10^0
08H-4 = -2.75×10^{-5}	08H-14 = -25.2 = -2.52×10^1	08H-24 = 0.0181 = 1.81×10^{-2}
08H-5 = -0.833 = -8.33×10^{-1}	08H-15 = -1.25 = -1.25×10^0	08H-25 = 422 = 4.22×10^2
08H-6 = 16,400 = 1.64×10^4	08H-16 = 690 = 6.90×10^2	08H-26 = 0.756 = 7.56×10^{-1}
08H-7 = 2.09 = 2.09×10^0	08H-17 = 261 = 2.61×10^2	08H-27 = 2.27 = 2.27×10^0
08H-8 = 9.04 = 9.04×10^0	08H-18 = 89.6 = 8.96×10^1	08H-28 = 169 = 1.69×10^2
08H-9 = 10.4 = 1.04×10^1	08H-19 = 0.0339 = 3.39×10^{-2}	08H-29 = 773 = 7.73×10^2
08H-10 = 397 = 3.97×10^2	08H-20 = 53.1 = 5.31×10^1	08H-30 = 7.03 = 7.03×10^0

08H-31 = 0.0837
= 8.37x10⁻²

08H-32 = 1.28x10⁻¹⁰

08H-33 = 0.773
= 7.73x10⁻¹

08H-34 = 0.0876
= 8.76x10⁻²

08H-35 = 1.15x10⁻⁶

08H-36 = 59.6
= 5.96x10¹

08H-37 = 1.48
= 1.48x10⁰

08H-38 = 1.88
= 1.88x10⁰

08H-39 = 0.401
= 4.01x10⁻¹

08H-40 = 0.442
= 4.42x10⁻¹

08H-41 = -0.255
= -2.55x10⁻¹

08H-42 = -3.24x10⁻⁵

08H-43 = -2.88
= -2.88x10⁰

08H-44 = 19.0
= 1.90x10¹

08H-45 = -17.7
= -1.77x10¹

08H-46 = 21.2
= 2.12x10¹

08H-47 = 2059 integer

08H-48 = 1.49
= 1.49x10⁰

08H-49 = 1.62
= 1.62x10⁰

08H-50 = 2180
= 2.18x10³

08H-51 = 1.97x10⁻⁵

08H-52 = 0.263
= 2.63x10⁻¹

08H-53 = 12.5
= 1.25x10¹

08H-54 = 1.82
= 1.82x10⁰

08H-55 = 1.80
= 1.80x10⁰

08H-56 = -6.28
= -6.28x10⁰

08H-57 = 156
= 1.56x10²

08H-58 = 3.78
= 3.78x10⁰

08H-59 = 4.05
= 4.05x10⁰

08H-60 = 1.42
= 1.42x10⁰

08H-61 = 8.61x10⁶

08H-62 = 2890
= 2.89x10³

08H-63 = 0.200
= 2.00x10⁻¹

08H-64 = 2.53
= 2.53x10⁰

08H-65 = -4.93
= -4.93x10⁰

08H-66 = 2.81
= 2.81x10⁰

08H-67 = 20 integer

08H-68 = 93.8
= 9.38x10¹

08H-69 = 2230
= 2.23x10³

08H-70 = 0.399
= 3.99x10⁻¹